

CSII RECEPTION Desk TYPICAL – CST27

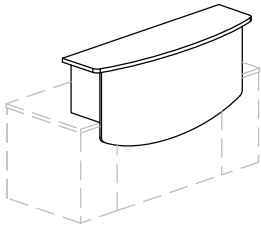


Consists of:

QTY.	MODEL NO.	DESCRIPTION	LIST PRICE EACH
1	C1371	Rectangular Desk, 72 x 30" with 1 B/B/F	2,198.00
1	C2433	Return, 48 x 24" with 1 F/F	1,783.00
1	CS2RC	Reception Counter	1,485.00
1	CS2RS78	Reception Auxiliary Counter 78" W	988.00
1	CS2RS30	Reception Auxiliary Counter 30" W	706.00

**CST27** **7,162.00**

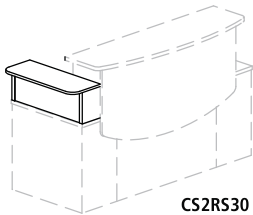
RECEPTION COUNTER



- For rectangular reception Desk. To be used on any 72" W x 30" D CSII™ Desk
- Laminate design
- 1 1/8" thick bowfront transaction counter

Model No.	Description	Dimensions	Weight	List Price
CS2RC	Reception Counter	63" W x 18" D x 17 1/8" H (29" H overall)	115	1,485.00

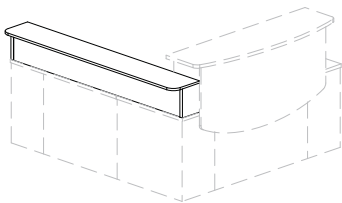
AUXILIARY COUNTER



CS2RS30

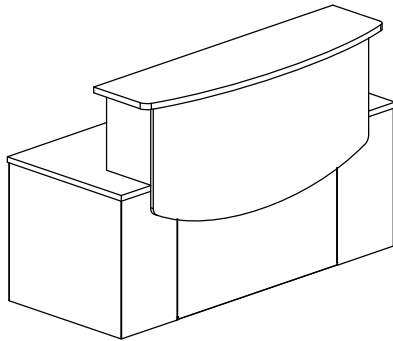
- 30" counter to be used with reception counter on any 72" W x 30" D CSII Desk
- 78" counter to be used with reception counter on any 72" W x 30" D CSII Desk and any 48" W CSII return
- All laminate design

Model No.	Description	Dimensions	Weight	List Price
CS2RS30	30" Auxiliary Counter	30" W x 12" D x 10 1/4" H	30	706.00
CS2RS78	78" Auxiliary Counter	78" W x 12" D x 10 1/4" H	80	988.00



Note: CSII conference tables are found in "Tables" section page 172.

CSII™ RECEPTION DESK TYPICALS

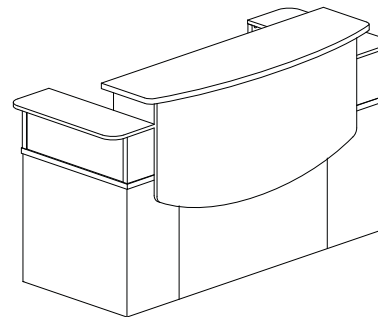


CSII TYPICAL #25

Consists of:

QTY.	MODEL NO.	DESCRIPTION	LIST PRICE EACH
1	C1375	Rect. Desk 72" W x 30" D with 1 B/B/F & 1 F/F Pedestal	3,048.00
1	CS2RC	Reception Counter	1,485.00

**CST25** **4,532.00**



CSII TYPICAL #26

Consists of:

QTY.	MODEL NO.	DESCRIPTION	LIST PRICE EACH
1	C1375	Rect. Desk 72" W x 30" D with 1 B/B/F & 1 F/F Pedestal	3,048.00
1	CS2RC	Reception Counter	1,485.00
1	CS2RS30	Reception Auxiliary Shelf, 30" W	706.00
1	CS2RS30	Reception Auxiliary Shelf, 30" W	706.00

**CST26** **5,943.00**