

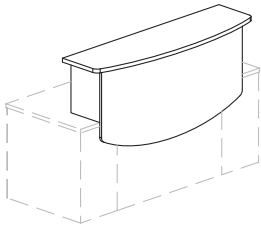
CSII RECEPTION Desk TYPICAL – CST27 GSA

Consists of:

QTY.	MODEL NO.	DESCRIPTION	LIST PRICE EACH
1	C1371	Rectangular Desk, 72 x 30" with 1 B/B/F	1,532.00
1	C2433	Return, 48 x 24" with 1 F/F	1,243.00
1	CS2RC	Reception Counter	1,035.00
1	CS2RS78	Reception Auxiliary Counter 78"W	689.00
1	CS2RS30	Reception Auxiliary Counter 30"W	492.00

CST27 **4,993.00**

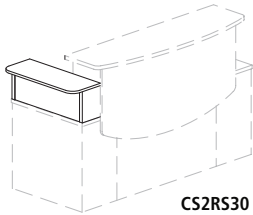
RECEPTION COUNTER GSA



- For rectangular reception Desk. To be used on any 72"W x 30"D CSII™ Desk
- Laminate design
- 1½" thick bowfront transaction counter

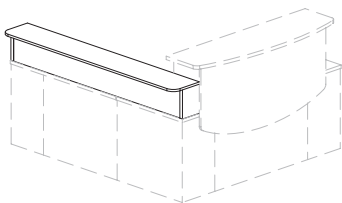
Model No.	Description	Dimensions	Weight	List Price
CS2RC	Reception Counter	63"W x 18"D x 17¾"H (29"H overall)	115	1,035.00

AUXILIARY COUNTER GSA



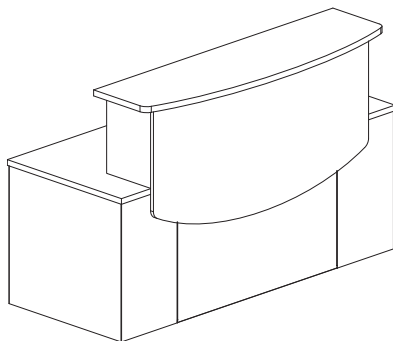
- 30" counter to be used with reception counter on any 72"W x 30"D CSII Desk
- 78" counter to be used with reception counter on any 72"W x 30"D CSII Desk and any 48"W CSII return
- All laminate design

Model No.	Description	Dimensions	Weight	List Price
CS2RS30	30" Auxiliary Counter	30"W x 12"D x 10¼"H	30	492.00
CS2RS78	78" Auxiliary Counter	78"W x 12"D x 10¼"H	80	689.00



Note: CSII conference tables are found in "Tables" section page 232.

CSII™ RECEPTION DESK TYPICALS GSA

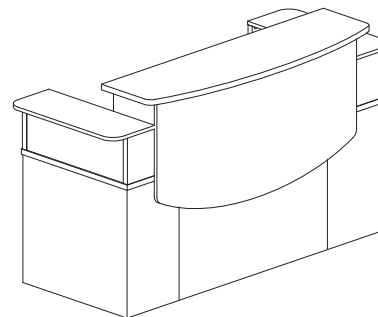


CSII TYPICAL #25

Consists of:

QTY.	MODEL NO.	DESCRIPTION	LIST PRICE EACH
1	C1375	Rect. Desk 72"W x 30"D with 1 B/B/F & 1 F/F Pedestal	2,125.00
1	CS2RC	Reception Counter	1,035.00

CST25 **3,160.00**



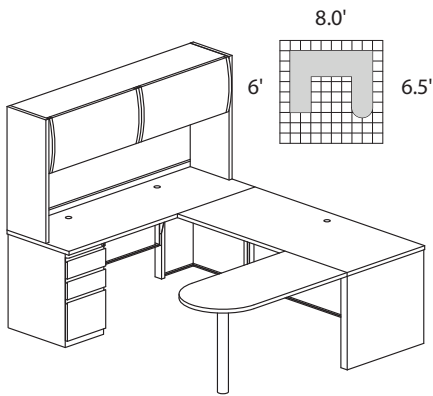
CSII TYPICAL #26

Consists of:

QTY.	MODEL NO.	DESCRIPTION	LIST PRICE EACH
1	C1375	Rect. Desk 72"W x 30"D with 1 B/B/F & 1 F/F Pedestal	2,125.00
1	CS2RC	Reception Counter	1,035.00
1	CS2RS30	Reception Auxiliary Shelf, 30"W	492.00
1	CS2RS30	Reception Auxiliary Shelf, 30"W	492.00

CST26 **4,143.00**

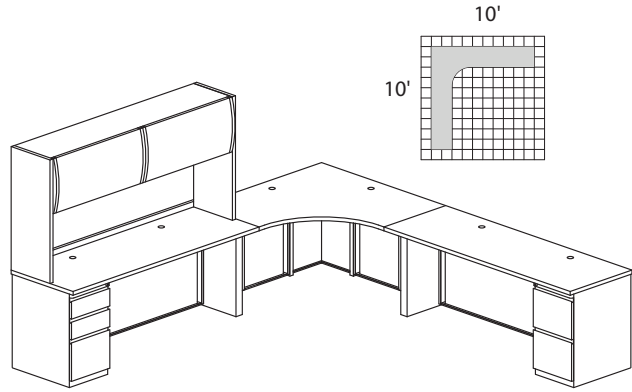
Office Suites
Seating
Tables & Desks
Meeting Essentials
Personal Organization
Ergonomics
High Density Storage
Storage & Filing
Facilities
Technology Furniture
Art & Engineering
K-12 Education



CSII TYPICAL #2

Consists of:

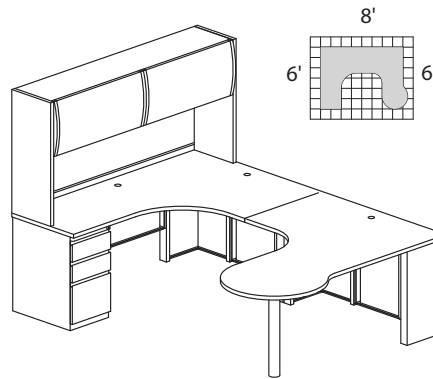
QTY.	MODEL NO.	DESCRIPTION	LIST PRICE EACH
1	C1171	Credenza 72"W x 24"D with One B/B/F	1,509.00
1	C2576	Return, 72"W x 30"D	1,039.00
1	C673	Peninsula Table, 48"W x 24"D	780.00
1	C747	Flipper Door Overhead Unit, 72"W x 15"D x 36"H	1,355.00
1	C867	Fabric Tack Panel for Overhead, 69¼"W x 17"H	419.00
CST2			5,102.00



CSII TYPICAL #3

Consists of:

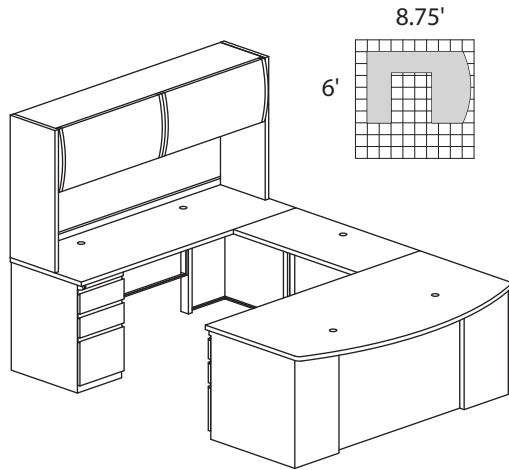
QTY.	NO.	MODEL	DESCRIPTION	LIST PRICE EACH
1	C542	Corner Desk, 24"D x 42"W x 42"W x 24"D		1,328.00
1	C2471	Return 72 x 24" with One B/B/F		1,468.00
1	C2473	Return 72 x 24" with One F/F		1,468.00
1	C747	Flipper Door Overhead Unit, 72"W x 15"D x 36"H		1,355.00
1	C867	Fabric Tack Panel for Overhead, 69¼"W x 17"H		419.00
CST3				6,037.00



CSII TYPICAL #4

Consists of:

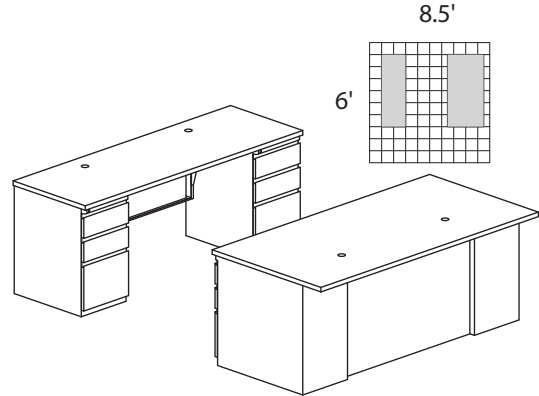
QTY.	NO.	MODEL	DESCRIPTION	LIST PRICE EACH
1	C343R1	J Table 72"W x 48"D x 30"H, Return Right with One B/B/F		1,965.00
1	C483L	P Table 72"W x 48"D x 30"H, Return Left with Conference End		1,562.00
1	C747	Flipper Door Overhead Unit, 72"W x 15"D x 36"H		1,355.00
1	C867	Fabric Tack Panel for Overhead, 69¼"W x 17"H		419.00
CST4				5,300.00



CSII TYPICAL #5

Consists of:

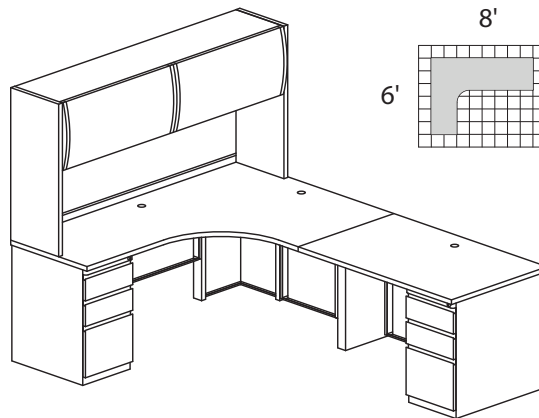
MODEL			LIST PRICE
QTY.	NO.	DESCRIPTION	EACH
1	C1971	Bowfront Desk 72 x 39" with One B/B/F	1,734.00
1	C282T	Straight Bridge, 42 x 21"	450.00
1	C1171	Credenza 72 x 24" with One B/B/F	1,509.00
1	C747	Flipper Door Overhead Unit, 72"W x 15"D x 36"H	1,355.00
1	C867	Fabric Tack Panel for Overhead, 69¼"W x 17"H	419.00
CST5			5,465.00



CSII TYPICAL #7

Consists of:

MODEL			LIST PRICE
QTY.	NO.	DESCRIPTION	EACH
1	C1675	Desk 72 x 36" with One B/B/F and One F/F	2,204.00
1	C1172	Credenza 72" x 24" with Two B/B/F	2,084.00
CST7			4,289.00

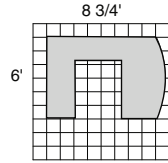
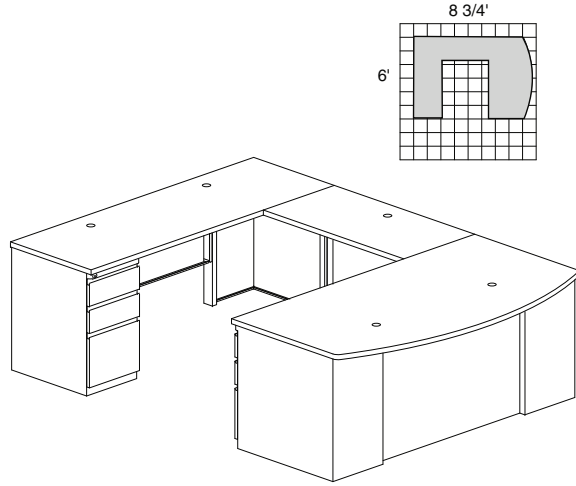


CSII TYPICAL #8

Consists of:

MODEL			LIST PRICE
QTY.	NO.	DESCRIPTION	EACH
1	C343R1	J Table 72"W x 48"D x 30", Return Right with One B/B/F	1,965.00
1	C2531	Return 48 x 30" with One B/B/F	1,312.00
1	C747	Flipper Door Overhead Unit 72"W x 15"D x 36"H	1,355.00
1	C867	Fabric Tack Panel for Overhead 69¼"W x 17"H	419.00
CST8			5,051.00

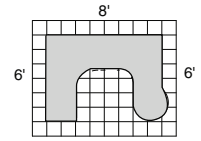
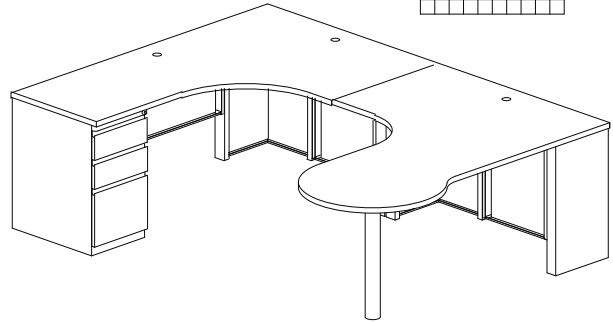
Office Suites
Seating
Tables & Desks
Meeting Essentials
Personal Organization
Ergonomics
High Density Storage
Storage & Filing
Facilities
Technology Furniture
Art & Engineering
K-12 Education



CSII TYPICAL #9

Consists of:

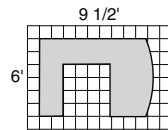
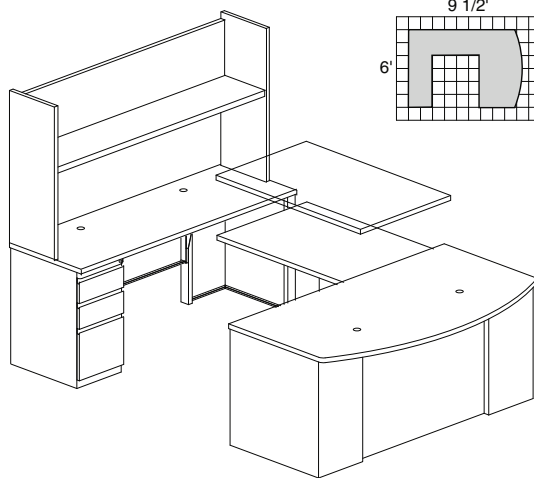
QTY.	NO.	MODEL	DESCRIPTION	LIST PRICE
				EACH
1	C1971		Bowfront Desk 72"W x 39"D with One B/B/F	1,734.00
1	C1171		Credenza 72"W x 24"D with One B/B/F	1,509.00
1	C282T		Straight Bridge, 42"W x 24"D	450.00
CST9				3,693.00



CSII TYPICAL #10

Consists of:

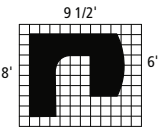
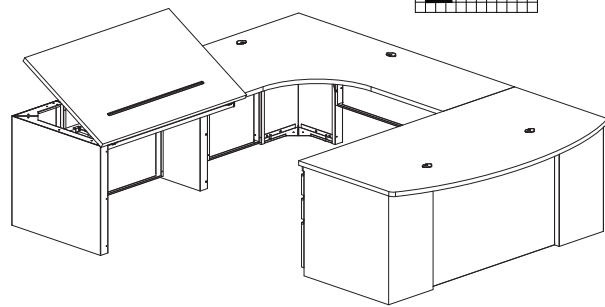
QTY.	NO.	MODEL	DESCRIPTION	LIST PRICE
				EACH
1	C343R1		J Table 72"W x 48"D x 30"D, Return Right with One B/B/F	1,965.00
1	C483L		P Table 72"W x 48"D x 30"D, Return Left w/Conference End	1,562.00
CST10				3,528.00



CSII TYPICAL #14

Consists of:

QTY.	NO.	MODEL	DESCRIPTION	LIST PRICE
				EACH
1	C1971		Bowfront Desk 72 x 39" with One B/B/F	1,734.00
1	C1171		Credenza 72 x 24" with One B/B/F	1,509.00
1	C48A		Height-Adjustable Bridge 48 x 24"	2,500.00
1	C777		Overhead Open Shelf, 72"W x 14"D x 36"H	768.00
1	C867		Fabric Tack Panel for Overhead, 69"W x 1/2"D x 17"H	419.00
CST14				6,929.00



CSII TYPICAL #24

Consists of:

QTY.	NO.	MODEL	DESCRIPTION	LIST PRICE
				EACH
1	C1971		Bowfront Desk 72 x 39" with One B/B/F	1,734.00
1	C343L6		J Table 72"W x 48"D x 30"D, Return Left	1,547.00
1	C48TR		Tilt Top Return Table 48 x 30"	1,395.00
CST24				4,672.00