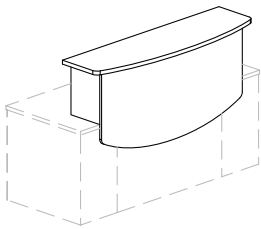


CSII RECEPTION Desk TYPICAL – CST27

Consists of:

QTY.	MODEL NO.	DESCRIPTION	LIST PRICE EACH
1	C1371	Rectangular Desk, 72 x 30" with 1 B/B/F	1,453.00
1	C2433	Return, 48 x 24" with 1 F/F	1,179.00
1	CS2RC	Reception Counter	981.00
1	CS2RS78	Reception Auxiliary Counter 78"W	653.00
1	CS2RS30	Reception Auxiliary Counter 30"W	466.00
CST27			4,734.00

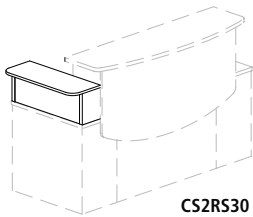
RECEPTION COUNTER



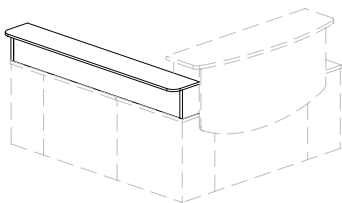
- For rectangular reception Desk. To be used on any 72"W x 30"D CSII™ Desk
- Laminate design
- 1½" thick bowfront transaction counter

Model No.	Description	Dimensions	Weight	List Price
CS2RC	Reception Counter	63"W x 18"D x 17¾"H (29"H overall)	115	981.00

AUXILIARY COUNTER



CS2RS30

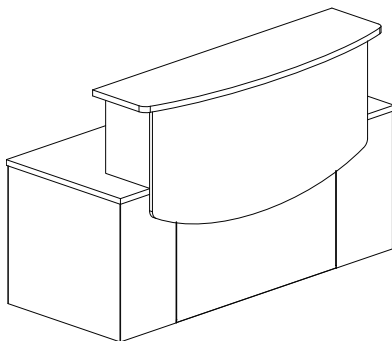


- 30" counter to be used with reception counter on any 72"W x 30"D CSII Desk
- 78" counter to be used with reception counter on any 72"W x 30"D CSII Desk and any 48"W CSII return
- All laminate design

Model No.	Description	Dimensions	Weight	List Price
CS2RS30	30" Auxiliary Counter	30"W x 12"D x 10¼"H	30	466.00
CS2RS78	78" Auxiliary Counter	78"W x 12"D x 10¼"H	80	653.00

Note: CSII conference tables are found in "Tables" section page 232.

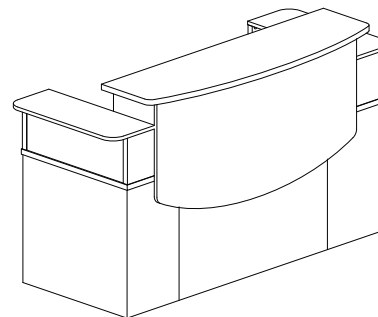
CSII™ RECEPTION DESK TYPICALS



CSII TYPICAL #25

Consists of:

QTY.	MODEL NO.	DESCRIPTION	LIST PRICE EACH
1	C1375	Rect. Desk 72"W x 30"D with 1 B/B/F & 1 F/F Pedestal	2,015.00
1	CS2RC	Reception Counter	981.00
CST25			2,996.00



CSII TYPICAL #26

Consists of:

QTY.	MODEL NO.	DESCRIPTION	LIST PRICE EACH
1	C1375	Rect. Desk 72"W x 30"D with 1 B/B/F & 1 F/F Pedestal	2,015.00
1	CS2RC	Reception Counter	981.00
1	CS2RS30	Reception Auxiliary Shelf, 30"W	466.00
1	CS2RS30	Reception Auxiliary Shelf, 30"W	466.00
CST26			3,928.00