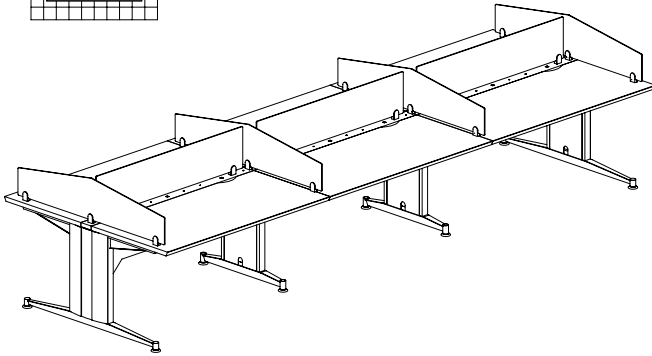
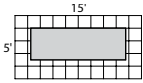


TRANSACTION™ TYPICALS



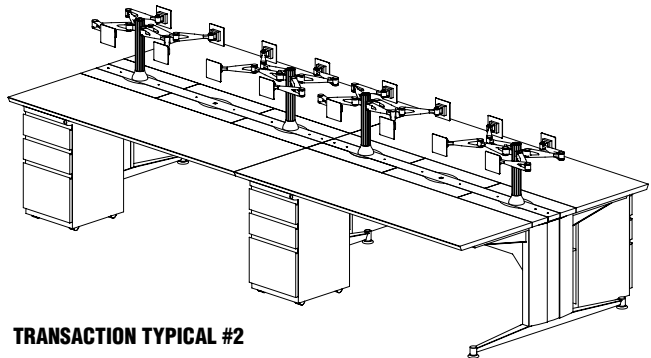
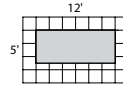
TRANSACTION TYPICAL #1

Consists of:

QTY.	MODEL NO.	DESCRIPTION	LIST PRICE EACH
1	TA6060SN	60"W x 60"D x 29"H Starter without access panels	\$4087
2	TA6060AN	60"W x 60"D x 29"H Adder without access panels	\$3270
3	TAAP54	54"W x 1/4"D x 11 1/2"H Frosted Acrylic Screen	\$598
4	TAAP60D	60"W x 1/4"D x 7 1/2" - 11 1/2"H Frosted Acrylic Divider Screen	\$574

TRANT1

TOTAL: \$14717



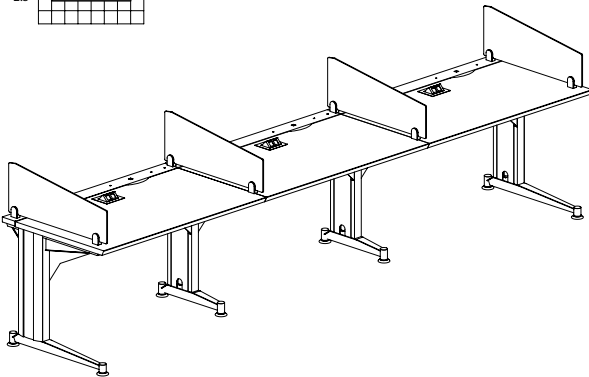
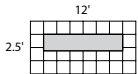
TRANSACTION TYPICAL #2

Consists of:

QTY.	MODEL NO.	DESCRIPTION	LIST PRICE EACH
1	TA7260S	72"W x 60"D x 29"H Starter with access panels	\$4924
1	TA7260A	72"W x 60"D x 29"H Adder with access panels	\$4084
4	C8817B	15"W x 17 1/2"D x 28"H B/B/F	\$626
4	TAMSP	Single Post - 15"H x 3" Diameter	\$135
16	TAM2	Dual Arm Monitor Support - 18 1/2" extension	\$177

TRANT2

TOTAL: \$14884



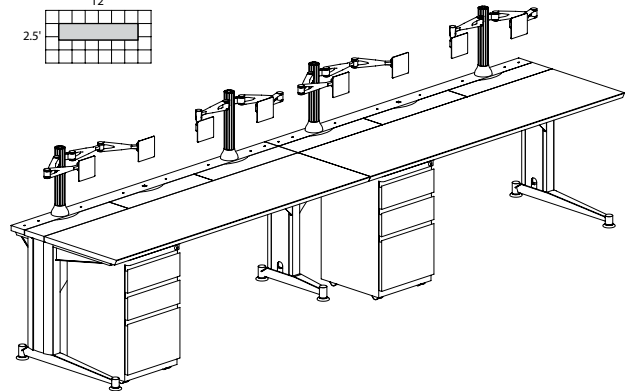
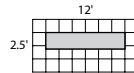
TRANSACTION TYPICAL #4

Consists of:

QTY.	MODEL NO.	DESCRIPTION	LIST PRICE EACH
1	TA4830SN	48"W x 30"D x 29"H Starter without access panels	\$2909
2	TA4830AN	48"W x 30"D x 29"H Adder without access panels	\$2181
3	PM20	Power Module with 2 Per Outlets (Black)	\$320
4	TAAP30D	24"W x 1/4"D x 7 1/2" - 11 1/2" H Frosted Acrylic Divider Screen	\$242

TRANT4

TOTAL: \$9199



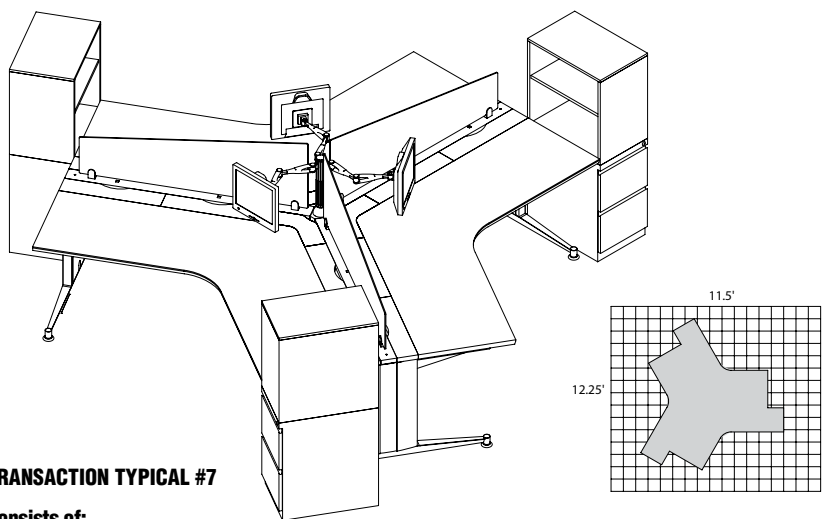
TRANSACTION TYPICAL #5

Consists of:

QTY.	MODEL NO.	DESCRIPTION	LIST PRICE EACH
1	TA7230S	72"W x 30"D x 29"H Starter with access panels	\$3643
1	TA7230A	72"W x 30"D x 29"H Adder with access panels	\$2837
2	C8817B	15"W x 17 1/2"D x 28"H B/B/F	\$626
4	TAMSP	Single Post - 15"H x 3" Diameter	\$135
8	TAM2	Dual Arm Monitor Support - 18 1/2" extension	\$177

TRANT5

TOTAL: \$9688



TRANSACTION TYPICAL #7

Consists of:

QTY.	MODEL NO.	DESCRIPTION	LIST PRICE EACH
1	TA120S	120-Degree 3-Pod Workstation 30"D x 102"W x 29 1/2"H	\$10995
1	TAETKD60S	Power Kit – Starter 60"	\$616
2	TAETKD60A	Power Kit – Adder 60"	\$752
1	TAESC72	Hardwire Starter Cable	\$192
1	TADC120S	Steel Data Access Channel (in 3 sections)	\$458
3	TAETP1	Telecom Plate with RJ11 CAT3 Phone and RJ45 CAT6 Data	\$123
3	TAETP2	Telecom Plate with 2 RJ45 CAT6 Data	\$162
3	TAETP8	Telecom Plate with 1 15-Pin HD VGA	\$199
1	TAMSP	Single Post – 15"H x 3"Dia.	\$135
3	TAM2	Single-Monitor Arm Support – Dual Extension	\$177
3	TAAP5418D	54" Acrylic Divider Panel 18"-10"H	\$685
3	TAST51LF	Storage Towers	\$1526

TRANT7

TOTAL: \$22516